

wifi antenna Ct-W03



Specifications Sheet

Feature :

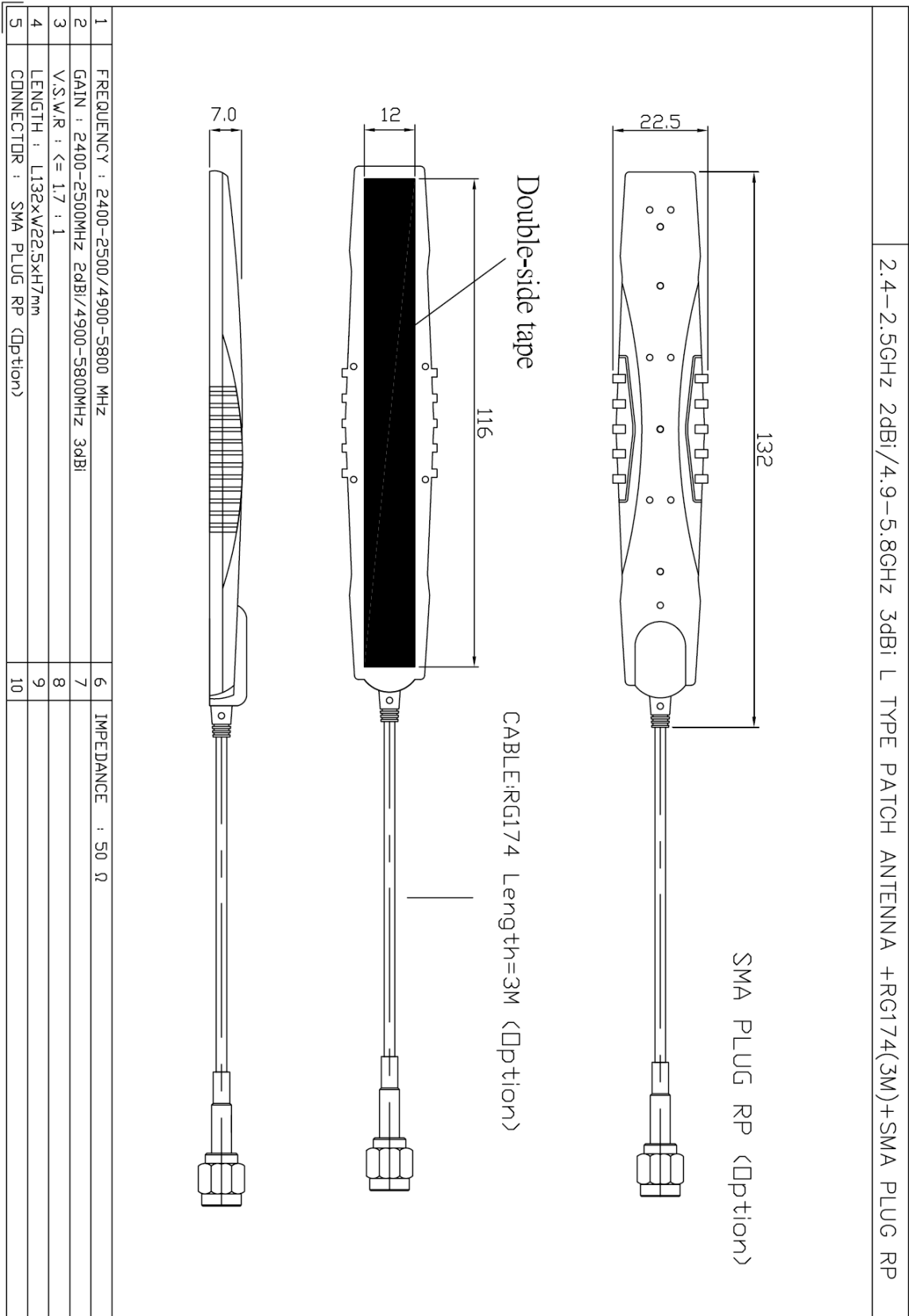
This antenna is designed for wifi wireless Communications

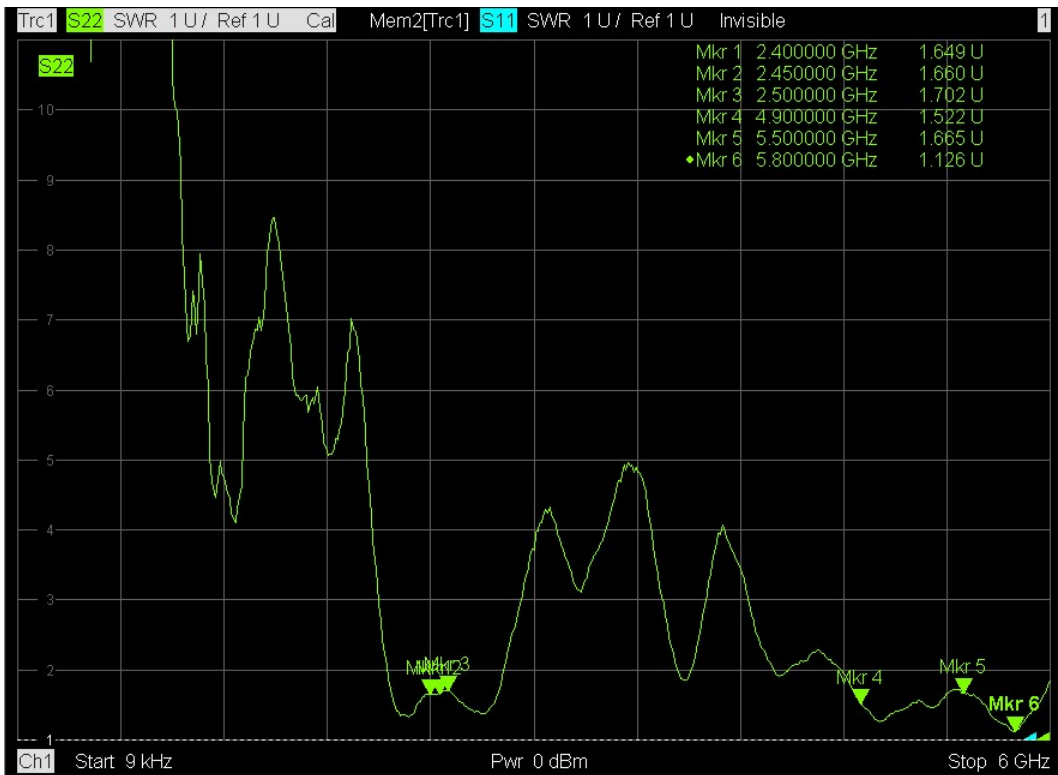
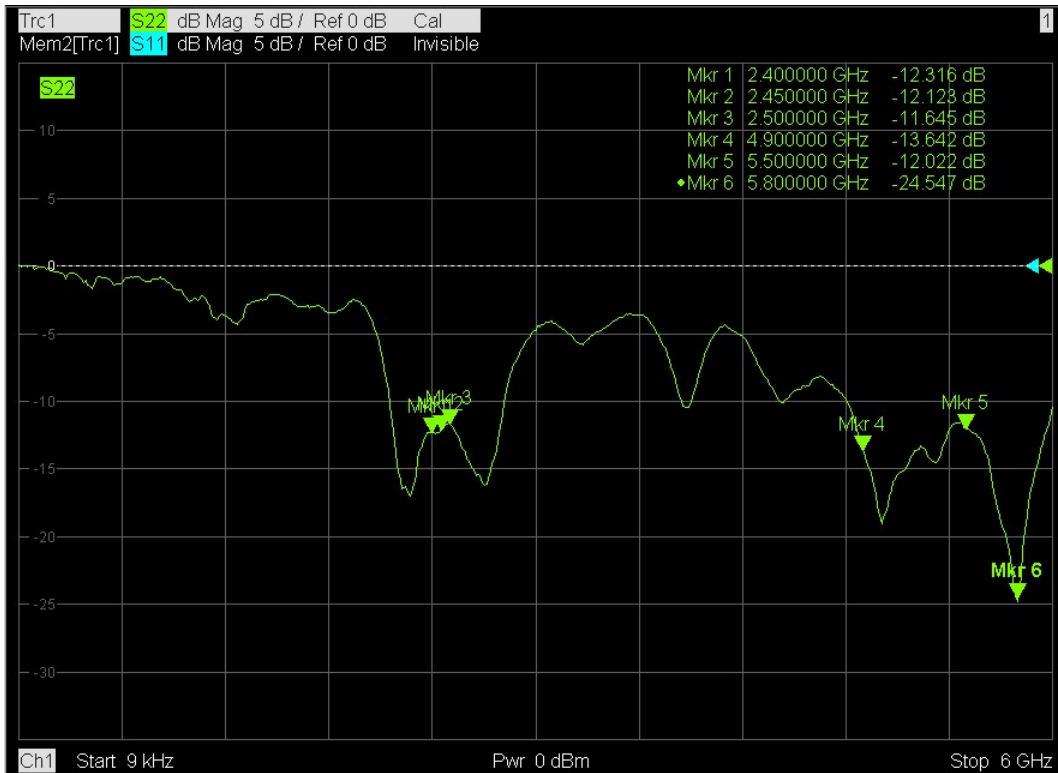
2.4-2.5GHz 2dBi/4.9-5.8GHz 3dBi

L TYPE PATCH ANTENNA +RG174(3M)+SMA PLUG RP

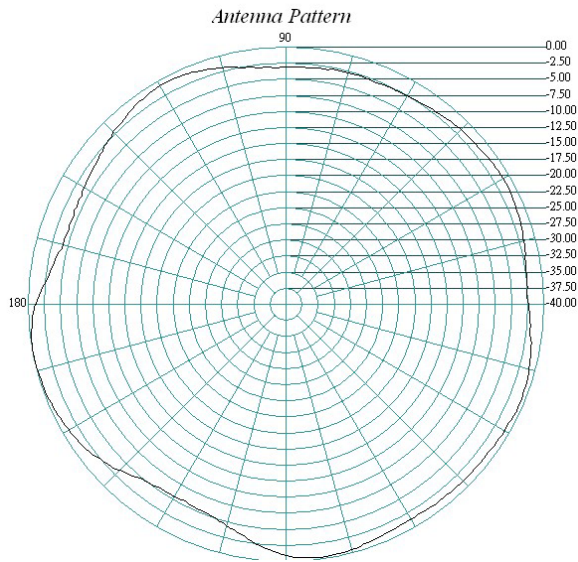
Specification

Model No	Ct-W03
Frequency	2400-2500/4900-5800 MHz
Antenna Type	Rectangle Patch antenna
Mounting	Double-side tape
Antenna Gain	2400-2500MHz 2 dBi / 4900-5800MHz 3dBi
VSWR	≤ 1.7
Power	10 Watts
Impedance	50 ohms
Polarization	Vertical
Antenna Connector	SMA PLUG RP (Option)
Cable Length	RG174 Length=3M (Option)
Dimensions	L132xW22.5xH7mm
Antenna Color	black





H-PLANE



E-PLANE

